



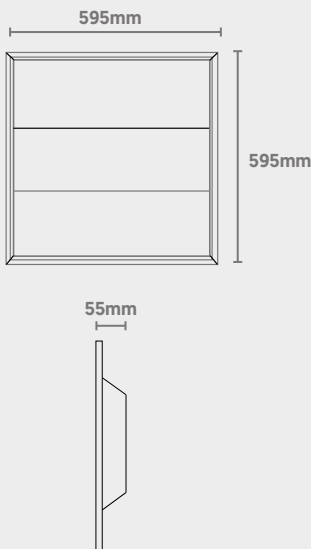


Phoenix Architectural Panel

CODE: PHO-30-6X6NW/ND2

-  Low Glare Diffuser
-  TP(a) Fire Rating
-  Architectural Design
-  Polycarbonate Housing

Dimensions



Power	Efficacy	Output	Kelvin
30W	110lm/cW	3300Lm	4000K

Technical

Input Voltage	AC 220-240V
Colour Rendering Index	>85
Beam Spread	78°
Diffuser Type	Opal
Power Factor	>0.9
Typical UGR	<19
Operating Temp.	-20 to +50°C
Materials	Polycarbonate
IP Rating	IP40
Fire Rating	TP(a)
Dimmable	On Request
Dimensions	595mm x 595mm x 55mm
Weight	3kg
MacAdam Step	<3
Lifetime	50,000 hours, L70-B10 (Ta 25 °C)
CE Standards	EN60598-1, EN 60598 2-2, EN62493, EN55015, EN61547, EN61000-3-2, EN61000-3-3, EN62722-1, EN62722-2-1 and EN50581
CE Directives	LVD, EMC, ERP & RoHS

Photometric Data

