

# Modular



IP44 Ingress Protection



TP(b) Fire Rating

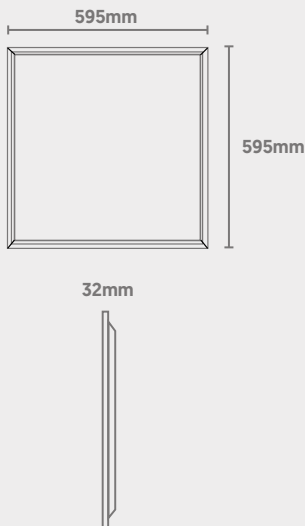


Low Glare Diffuser



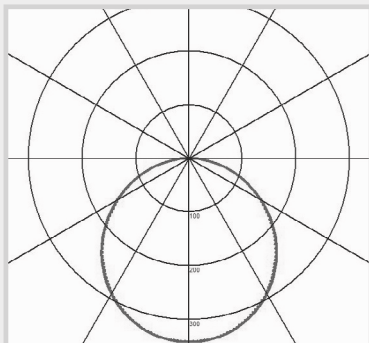
Aluminium Housing

## Dimensions



Light Source Energy Rating

## Photometric Data



# ON-X Lite Backlit Panel

CODE: OX-LITE-36-6X6CW

# QVIS®

LIGHTING & SECURITY



Power	Efficacy	Output	Kelvin
36W	105lm/cW	3780lm	6000K

## Technical

Input Voltage	AC 200-240V
Colour Rendering Index	>85
Beam Spread	160°
Diffuser Type	Opal
Power Factor	>0.95
Typical UGR	<19
Operating Temp.	-20 to +50°C
Materials	Aluminium
IP Rating	IP44
Fire Rating	TP(b)
Dimmable	On Request
Dimensions	595mm x 595mm x 32mm
Weight	2.5kg
MacAdam Step	<3
Lifetime	50,000 hours, L70-B10 (Ta 25 °C)
CE Standards	EN60598-1, EN 60598 2-2, EN62493, EN55015, EN61547, EN61000-3-2, EN61000-3-3, EN62722-1, EN62722-2-1 and EN50581
CE Directives	LVD, EMC, ERP & RoHS