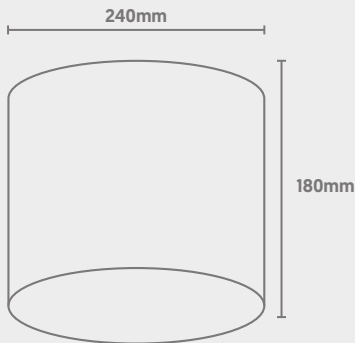


Downlight

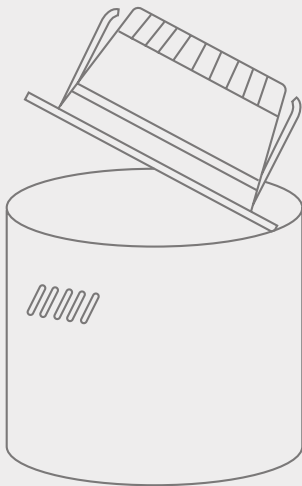
Nova Mounted Kit Surface Mounted Kit

CODE: NOVA-232-SMK-WH

Dimensions



Installation



Technical

| | |
|------------------|--|
| Finish | White |
| Diameter | 240mm |
| Height | 180mm |
| What is included | 1 PSC Ceiling Bracket, 1 PSC Housing, 2 PSC M3 *7 Self-Tapping Screws, 2 PSC M4*25 Self-tapping Screws, 2 PSC Expansion Screws |