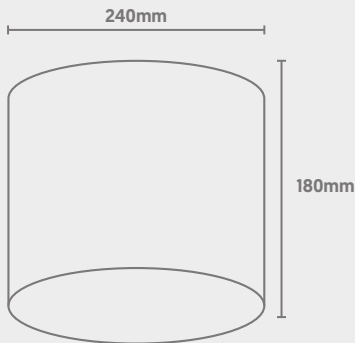


# Downlight

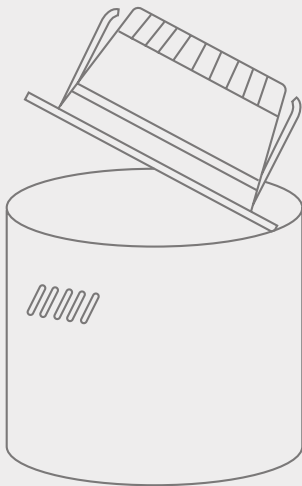
## Nova Mounted Kit Surface Mounted Kit

CODE: NOVA-232-SMK-BK

### Dimensions



### Installation



### Technical

<b>Finish</b>	Black
<b>Diameter</b>	240mm
<b>Height</b>	180mm
<b>What is included</b>	1 PSC Ceiling Bracket, 1 PSC Housing, 2 PSC M3 *7 Self-Tapping Screws, 2 PSC M4*25 Self-tapping Screws, 2 PSC Expansion Screws