

Downlight

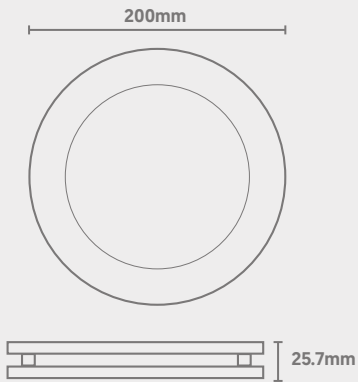
Nova

Drop Glass Attachment

QVIS[®]
LIGHTING & SECURITY

CODE: NOVA-DGW-200-FC

Dimensions



Technical

Finish	White (Aluminium)
Outer Dimensions	200mm
Thickness	25.7mm