

Downlight



IP54 Ingress Protection



LED COB

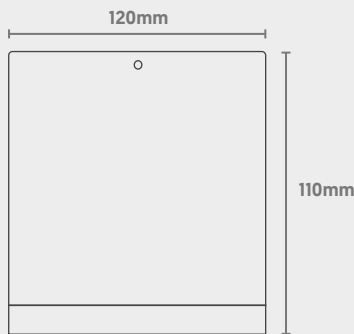


Die-Cast Housing



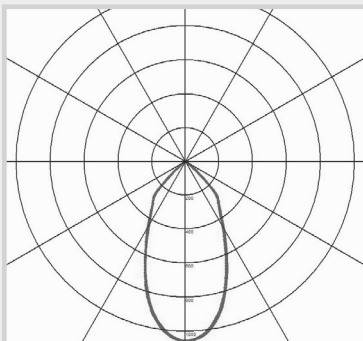
Faceted Reflector

Dimensions



Light Source
Energy Rating

Photometric Data



QCan

Surface Downlight

CODE: QCAN-15-120NW/BK

QVIS[®]

LIGHTING & SECURITY



Power	Efficacy	Output	Kelvin
15W	115Lm/cW	1725Lm	4000K

Technical

Input Voltage	AC 200-240V
Reflector Type	Faceted
Colour Rendering Index	>80
Beam Spread	60°
Power Factor	>0.9
Lamp Type	COB
Operating Temp.	-20 to +40°C
Materials	Die-Cast
IP Rating	IP54
Dimmable	On Request
Dimensions	120mm x 110mm
Weight	0.52kg
MacAdam Step	<3
Lifetime	50,000 hours, L90-B10 (Ta 25 °C)
CE Standards	EN60598-1, EN 60598 2-5, EN62493, EN55015, EN61547, EN61000-3-2, EN61000-3-3, EN62722-1, EN62722-2-1 and EN50581
CE Directives	LVD, EMC, ERP & RoHS