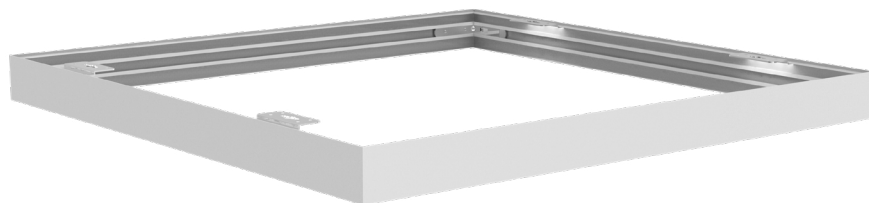
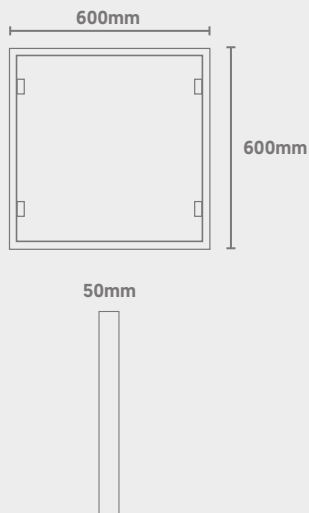


Surface Frame

6x6 Mounting Frame (50mm Height)

CODE: SMFT-50H-6X6

Dimensions



Technical

Application	For Panels of 15mm Height or Below (No More Than 47mm Thickness with Driver)
Material	Aluminium
Fixing Points	4x (6mm Diameter)
Dimensions	600mm x 600mm x 50mm