

# Modular



IP44 Ingress Protection



TP(a) Fire Rating

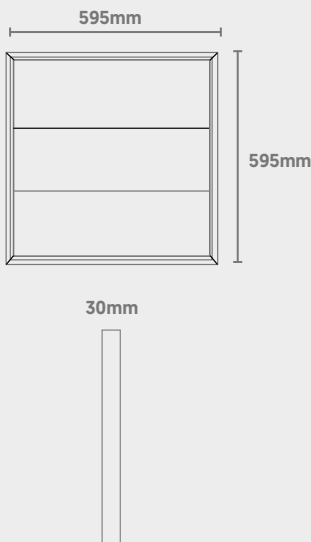


Wattage Switchable



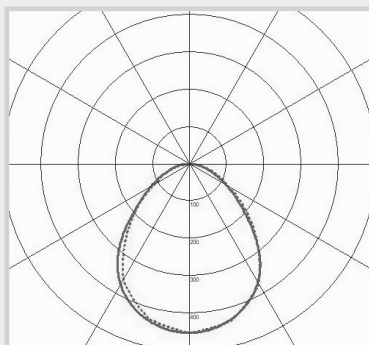
Aluminium Housing

## Dimensions



Light Source Energy Rating

## Photometric Data

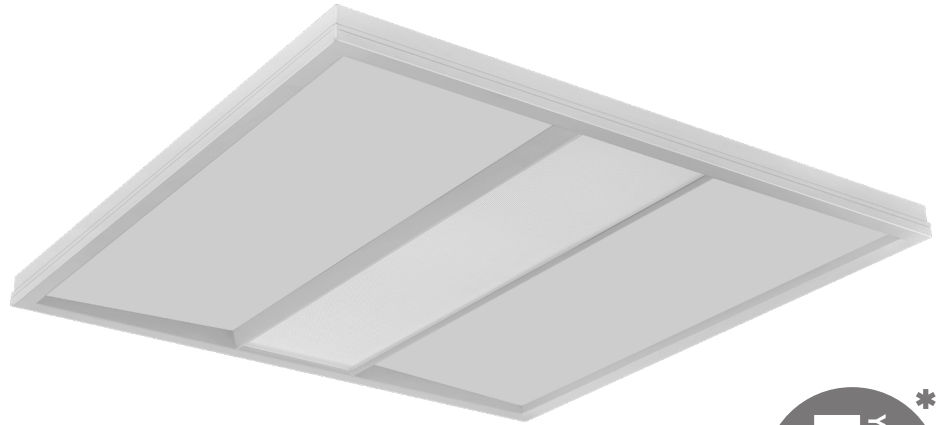


# Serene

## Premium Architectural Panel

**QVIS**<sup>®</sup>  
LED LIGHTING

CODE: SER-WS-6X6NW



Power (Selectable)	Efficacy	Output	Kelvin
20W	120Lm/cW	2400Lm	4000K
24W	120Lm/cW	2880Lm	
26W	120Lm/cW	3120Lm	
30W	120Lm/cW	3600Lm	

## Technical

Input Voltage	AC 220-240V
Colour Rendering Index	>85
Beam Spread	90°
Diffuser Type	Microprismatic
Power Factor	>0.9
Typical UGR	<17
Operating Temp.	-20 to +50°C
Materials	Anodised Aluminium
IP Rating	IP44
Fire Rating	TP(a)
Dimmable	On Request
Dimensions	595mm x 595mm x 30mm
Weight	2.8kg
MacAdam Step	<3
Lifetime	50,000 hours, L90-B10 (Ta 25 °C)
CE Standards	EN60598-1, EN 60598 2-2, EN62493, EN55015, EN61547, EN61000-3-2, EN61000-3-3, EN62722-1, EN62722-2-1 and EN50581
CE Directives	LVD, EMC, ERP & RoHS