

Surface & Suspended



IP66 Ingress Protection



IK10 Impact Resistance

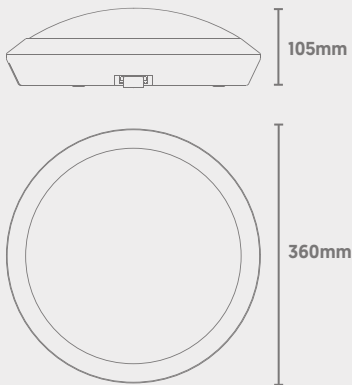


TP(a) Fire Rating



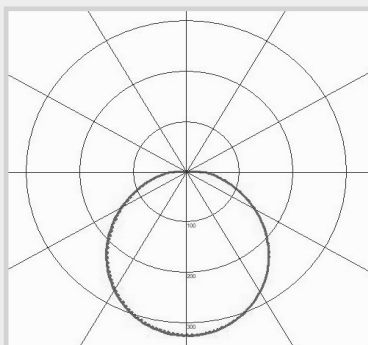
Side Conduit Entry Point

Dimensions



Light Source Energy Rating

Photometric Data



Vex

Commercial Bulkhead

QVIS[®]
LED LIGHTING

CODE: VEX-25-420NW/OD



Power	Efficacy	Output	Kelvin
25W	108Lm/cW	2700Lm	4000K

Technical

Input Voltage	AC 220-240V
Colour Rendering Index	>80
Power Factor	>0.9
Operating Temp.	-20 to +40°C
Materials	Polycarbonate
IP Rating	IP66
IK Rating	IK10
Fire Rating	TP(a)
Dimmable	DALI
Dimensions	420mm x 112mm
Weight	1.6kg
MacAdam Step	<3
Lifetime	50,000 hours, L90-B10 (Ta 25 °C)
CE Standards	EN60598-1, EN62493, EN55015, EN61547, EN61000-3-2, EN61000-3-3, EN62722-1, EN62722-2-1 and EN50581
CE Directives	LVD, EMC, ERP & RoHS