

# Surface & Suspended



IP66 Ingress Protection



IK10 Impact Resistance

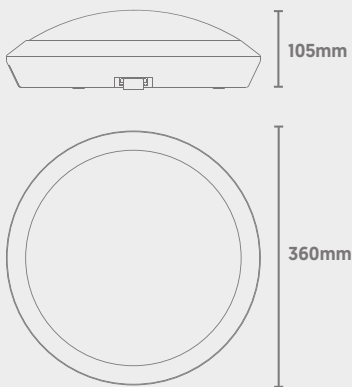


Tri-Colour (3000K/4000K/6000K)



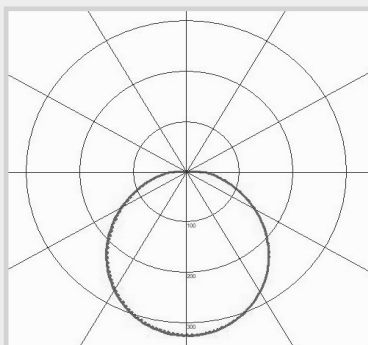
Side Conduit Entry Points Under Tab (New Housing)

## Dimensions



**Light Source Energy Rating**

## Photometric Data



# Vex Gen 2

## Commercial Bulkhead



CODE: VEX2-WS-360TC/EM



Power (Selectable)	Efficacy	Output	Kelvin
12W [Emergency 3W]	105Lm/cW	1260Lm [Emergency 315Lm]	4000K
16W [Emergency 3W]	105Lm/cW	1680Lm [Emergency 315Lm]	
20W [Emergency 3W]	105Lm/cW	2100Lm [Emergency 315Lm]	
25W [Emergency 3W]	105Lm/cW	2625Lm [Emergency 315Lm]	

## Technical

Input Voltage	AC 220-240V
Colour Rendering Index	>80
Power Factor	>0.9
Operating Temp.	-20 to +30°C
Materials	Polycarbonate
IP Rating	IP66
IK Rating	IK10
Fire Rating	TP(a)
Dimmable	On Request
Dimensions	360mm x 105mm
Weight	1.07kg
MacAdam Step	<3
Emergency Output	3 Hours [3W]
Lifetime	50,000 hours, L90-B10 (Ta 25 °C)
CE Standards	EN60598-1, EN62493, EN55015, EN61547, EN61000-3-2, EN61000-3-3, EN62722-1, EN62722-2-1 and EN50581
CE Directives	LVD, EMC, ERP & RoHS