

Surface & Suspended



IP66 Ingress Protection



IK10 Impact Resistance

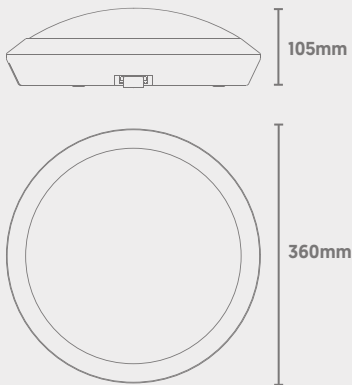


Tri-Colour (3000K/4000K/6000K)



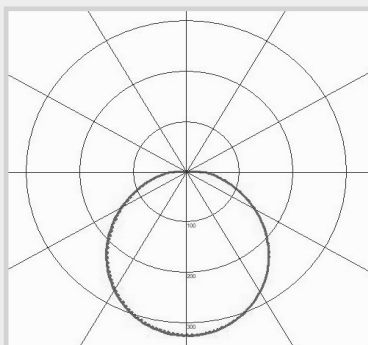
Side Conduit Entry Points Under Tab (New Housing)

Dimensions



Light Source Energy Rating

Photometric Data



Vex Gen 2

Commercial Bulkhead

QVIS[®]
LED LIGHTING

CODE: VEX2-WS-360TC



Power (Selectable)	Efficacy	Output	Kelvin
12W	105Lm/cW	1260Lm	Tri-Colour: 3000K, 4000K or 6000K
16W	105Lm/cW	1680Lm	
20W	105Lm/cW	2100Lm	
25W	105Lm/cW	2625Lm	

Technical

Input Voltage	AC 220-240V
Colour Rendering Index	>80
Power Factor	>0.9
Operating Temp.	-20 to +30°C
Materials	Polycarbonate
IP Rating	IP66
IK Rating	IK10
Fire Rating	TP(a)
Dimmable	On Request
Dimensions	360mm x 105mm
Weight	0.9kg
MacAdam Step	<3
Lifetime	50,000 hours, L90-B10 (Ta 25 °C)
CE Standards	EN60598-1, EN62493, EN55015, EN61547, EN61000-3-2, EN61000-3-3, EN62722-1, EN62722-2-1 and EN50581
CE Directives	LVD, EMC, ERP & RoHS