

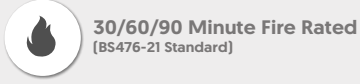
Downlight

FRD All-In-One Fixed Fire Rated Downlight

CODE: FDR-ALLinONE-WS-QC



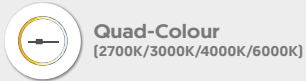
IP65 Ingress Protection



30/60/90 Minute Fire Rated
(BS476-21 Standard)



Wattage Switchable



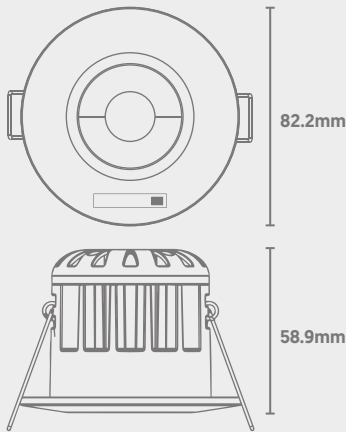
Quad-Colour
(2700K/3000K/4000K/6000K)



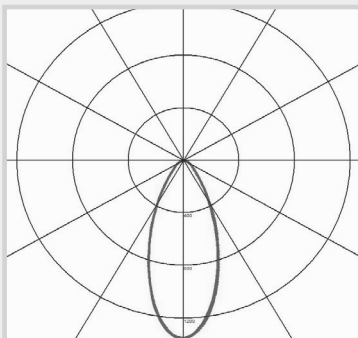
3 Magnetic Bezels
In Box



Dimensions



Photometric Data



| Power (Selectable) | Efficacy | Output | Kelvin |
|--------------------|----------|--------|--------|
| 6W | 95Lm/cW | 570Lm | 2700K |
| 8W | 95Lm/cW | 760Lm | |
| 10W | 95Lm/cW | 950Lm | |
| 6W | 100Lm/cW | 600Lm | 3000K |
| 8W | 100Lm/cW | 800Lm | |
| 10W | 100Lm/cW | 1000Lm | |
| 6W | 110Lm/cW | 660Lm | 4000K |
| 8W | 110Lm/cW | 880Lm | |
| 10W | 110Lm/cW | 1100Lm | |
| 6W | 100Lm/cW | 600Lm | 6000K |
| 8W | 100Lm/cW | 800Lm | |
| 10W | 100Lm/cW | 1000Lm | |

Downlight



IP65 Ingress Protection



30/60/90 Minute Fire Rated
(BS476-21 Standard)

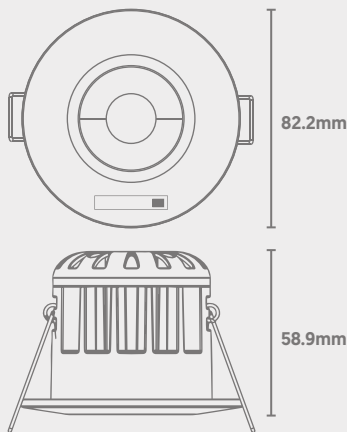


Wattage Switchable

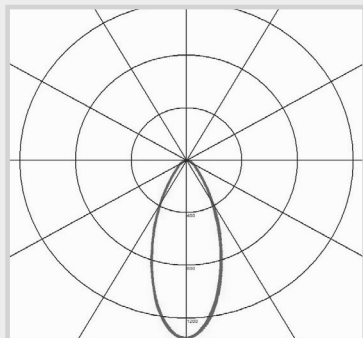


Quad-Colour
(2700K/3000K/4000K/6000K)

Dimensions



Photometric Data



FRD All-In-One

Fixed Fire Rated Downlight

QVIS[®]
LIGHTING & SECURITY

CODE: FDR-ALLinONE-WS-QC

Technical

| | |
|------------------------|--|
| Input Voltage | AC 230V |
| Colour Rendering Index | >80 |
| Beam Spread | 40° |
| Power Factor | >0.9 |
| Lamp Type | SMD |
| Operating Temp. | -25 to +45°C |
| Terminal Block | Loop In / Out Push Fit with Cable Clamp |
| IP Rating | IP65 from Fascia |
| Fire Rating | BS476-21; 30/60/90 min |
| Dimmable | Trailing Edge |
| Cut Out | 70mm |
| Dimensions | 82.2mm x 58.9mm |
| Weight | 0.32kg |
| MacAdam Step | <3 |
| Lifetime | 50,000 hours, L70-B10 (Ta 25 °C) |
| I-Joist | Certified |
| CE Standards | EN60598-1, EN 60598 2-2, EN62493, EN55015, EN61547, EN61000-3-2, EN61000-3-3, EN62722-1, EN62722-2-1 and EN50581 |
| CE Directives | LVD, EMC, ERP & RoHS |