

Modular



IP44 Ingress Protection



TP(a) Fire Rating

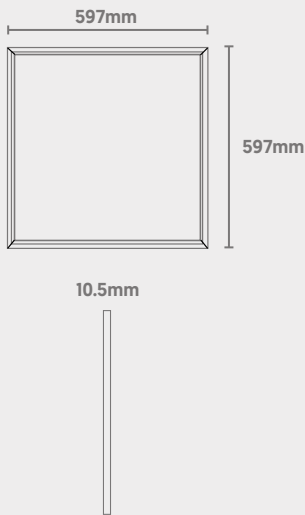


Wattage Switchable



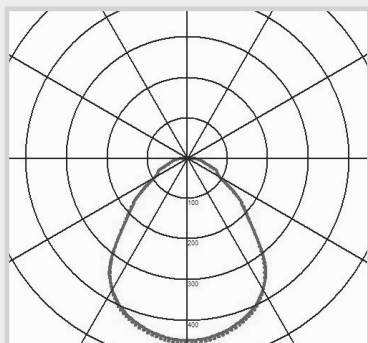
Microprismatic Diffuser

Dimensions



Light Source Energy Rating

Photometric Data



Lynx SLG Gen 2

Low Glare Edge-Lit Panel

QVIS[®]

LIGHTING & SECURITY

CODE: LYNX-LG2-WS-6X6NW



Panel dimensions suit a range of ceiling types

Power (Selectable)	Efficacy	Output	Kelvin
20W	140Lm/cW	2800Lm	4000K
24W	140Lm/cW	3360Lm	
26W	140Lm/cW	3640Lm	
30W	140Lm/cW	4200Lm	

Technical

Input Voltage	AC 200-240V
Colour Rendering Index	>85
Beam Spread	160°
Diffuser Type	Microprismatic
Power Factor	>0.95
Typical UGR	<17
Operating Temp.	-20 to +50°C
Materials	Aluminium
IP Rating	IP44
Fire Rating	TP(a)
Dimmable	On Request
Dimensions	597mm x 597mm x 10.5mm
Weight	2.6kg
MacAdam Step	<3
Lifetime	50,000 hours, L90-B10 (Ta 25 °C)
CE Standards	EN60598-1, EN 60598 2-2, EN62493, EN55015, EN61547, EN61000-3-2, EN61000-3-3, EN62722-1, EN62722-2-1 and EN50581
CE Directives	LVD, EMC, ERP & RoHS