

Downlight



IP67 Ingress Protection



TP(a) Fire Rating

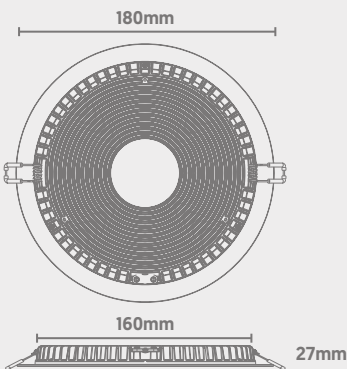


Back-Lit Luminaire

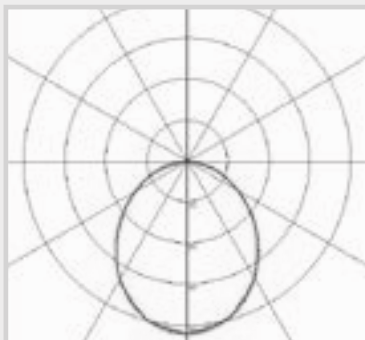


Aluminium Housing

Dimensions



Photometric Data



Helios

IP65 Recessed Downlight

QVIS[®]

LIGHTING & SECURITY

CODE: H65-PRO-WS-180TC/EM



| Power | Efficacy | Output | Kelvin |
|--------------------|----------|--------------------------|-------------------------------------|
| 10W [Emergency 3W] | 160Lm/cW | 1600Lm [Emergency 480Lm] | Tri-Colour: 3000K, 4000K & 6000K |
| 12W [Emergency 3W] | 160Lm/cW | 1920Lm [Emergency 480Lm] | |
| 15W [Emergency 3W] | 160Lm/cW | 2400Lm [Emergency 480Lm] | |
| 17W [Emergency 3W] | 160Lm/cW | 2720Lm [Emergency 480Lm] | |

Technical

| | |
|------------------------|--|
| Input Voltage | AC 200-240V |
| Colour Rendering Index | >85 |
| Beam Spread | 90° |
| Diffuser Type | Opal |
| Power Factor | >0.9 |
| Operating Temp. | -20 to +65°C |
| Materials | Aluminium & Polycarbonate |
| IP Rating | IP67 |
| Fire Rating | TP(a) |
| Dimmable | On Request |
| Cut Out | 160mm |
| Dimensions | 180mm x 27mm |
| Weight | 0.705kg |
| MacAdam Step | <3 |
| Emergency Output | 3 Hours [3W] |
| Lifetime | 50,000 hours, L90-B10 (Ta 25 °C) |
| CE Standards | EN60598-1, EN 60598 2-2, EN62493, EN55015, EN61547, EN61000-3-2, EN61000-3-3, EN62722-1, EN62722-2-1 and EN50581 |
| CE Directives | LVD, EMC, ERP & RoHS |