

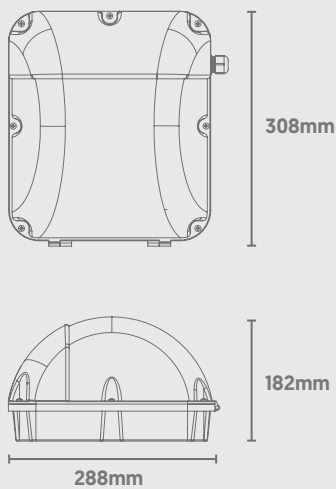
External

Luna Gen 2
Tri-Colour Wall Pack (with Photocell)

CODE: LUNA2-WS-TC/MS

-  IP65 Ingress Protection
-  IK10 Impact Resistance
-  Wattage Switchable
-  Integral Photocell Sensor
(Can be disabled)

Dimensions



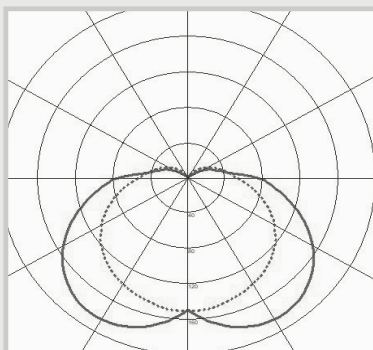
Photocell Info on Following Page

Power (Selectable)	Efficacy	Output	Kelvin
15W	145Lm/cW	2175Lm	Tri-Colour: 3000K, 4000K or 6000K
17W	145Lm/cW	2465Lm	
19W	145Lm/cW	2755Lm	
21W	145Lm/cW	3045Lm	
23W	145Lm/cW	3335Lm	
25W	145Lm/cW	3625Lm	
27W	145Lm/cW	3915Lm	
29W	145Lm/cW	4205Lm	

Technical

Input Voltage	AC 220-240V
Colour Rendering Index	>80
Beam Spread	125°
Power Factor	0.95
Operating Temp.	-20 to +65°C
Materials	Aluminium
IP Rating	IP65
IK Rating	IK10
Dimmable	Microwave Sensor
Dimensions	308mm x 288mm x 182mm
Weight	2.7kg
MacAdam Step	<3
Lifetime	50,000 hours, L90-B10 (Ta 25 °C)
CE Standards	EN60598-1, EN62493, EN55015, EN61547, EN61000-3-2, EN61000-3-3, EN62722-1, EN62722-2-1 and EN50581
CE Directives	LVD, EMC, ERP & RoHS

Photometric Data



External



IP65 Ingress Protection



IK10 Impact Resistance



Wattage Switchable



Integral Photocell Sensor
(Can be disabled)

Luna

Tri-Colour Wall Pack (with Photocell)

CODE: LUNA-WS-TC

Photocell Information

Input: Operating Voltage Range	AC 187-264V; 50Hz
Input: Rated Voltage	AC 220-240V; 50Hz
Input: No Load Power	≤0.5W
Output: Type of Load	≤800W (Resistive); ≤400W (Inductive / LED)
Output: Working Mode	On/Off
Daylight Threshold	On/Off / 5Lx / 25Lx, 10Lx / 50Lx, 25Lx / 75Lx, 50Lx / 100Lx, 100Lx / 200Lx, 150Lx / 300Lx, 200Lx / 400Lx, Disabled
Operating Temperature	-20 to +65°C
Wiring	Press-In Terminal x4
Protection Class	Class 2
IP Rating	IP20
Certification	CE
Dimensions	46mm x 36mm x 22mm (Integral to Wall Pack)
Operation	Multi-Target Lux Level via Dip-Switch

Photocell Dip Switch Settings

	1	2	3	4	Open	Close
I	ON	ON	ON	ON	5Lx	25Lx
II	ON	ON	ON	-	10Lx	50Lx
III	ON	ON	-	ON	25Lx	75Lx
IV	ON	ON	-	-	50Lx	100Lx
V	ON	-	ON	-	100Lx	200Lx
VI	ON	-	-	-	150Lx	300Lx
VII	-	ON	-	-	200Lx	400Lx
VIII	-	-	-	-	Disabled	