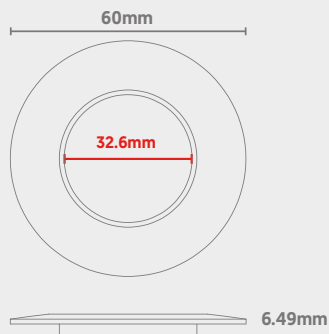


QPin

60mm Bezel (Up to 55mm Cut Out)

CODE: QPIN-BEZEL-60MM

Dimensions



Technical

| | |
|------------------|---------------|
| Installation | Clip-On |
| Material | Polycarbonate |
| Finish | RAL 9016 |
| Cut Outs | 34mm to 55mm |
| Inner Dimensions | 32.6mm |
| Outer Dimensions | 60mm |
| Thickness | 6.49mm |