

Surface & Suspended



Day & Night Operation



10m Detection Distance

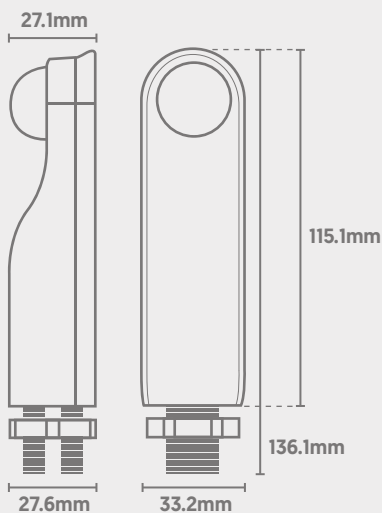


360° Detection Range



Up to 6m Install Height
(2m to 6m is recommended for optimal performance)

Dimensions



PIR (Dial)

Manual PIR Sensor

QVIS[®]
LED LIGHTING

CODE: QPIR-BATTEN-DIAL



Main Specifications

Daylight Sensor	<3Lx to 2000Lx (Adjustable)
Hold Time	Min: 10s±3s; Max: 30min±2min
Stand-By Period	5min, 10min, 15min, 30min, 60min, +∞
Detection Range	50% / 75% / 100% [360°]
Detection Distance	Up to 10m [24°C]
Detection Moving Speed	0.6-1.5m/s
Automatic Lighting Range	10Lx to 300Lx
Stand-By Dimming Level	OFF / 10% / 20% / 30%

Technical

Power Source	AC 220-240V
Power Frequency	50/60 Hz
Maximum Switching	6A
Rated Load	Between 500W and 1200W
Power Consumption	Approximately 0.5W
Cable Specification	18AWG-1007
Operating Temperature	-20 to +40°C
Operating Humidity	<93% RH
Installation Height	2m to 6m
Material	Polycarbonate
IP Rating	IP65 After Installation

Surface & Suspended



Day & Night Operation



10m Detection Distance

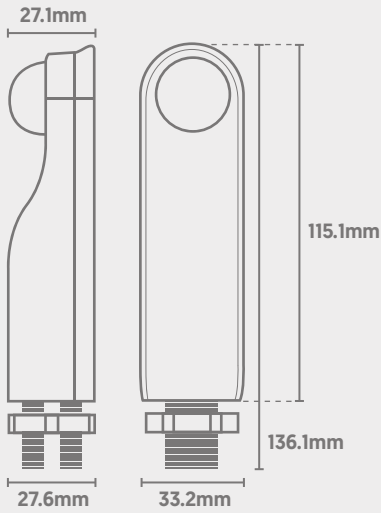


360° Detection Range



Up to 6m Install Height
(2m to 6m is recommended for optimal performance)

Dimensions



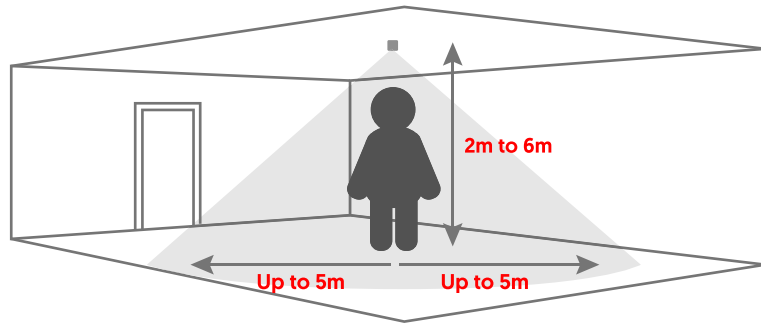
PIR (Dial)

Manual PIR Sensor



CODE: QPIR-BATTEN-DIAL

Detection Diagram



Wiring Diagram

