



QBay

Adjustable Low Bay

CODE: QBAY-WS-TC/PIR/EM

-  **Low-Glare Diffuser**
(Polycarbonate)
-  **IK08 Impact Resistance**
-  **Wattage Switchable**
-  **Tri-Colour** (4000K/5000K/6000K)

Dimensions



PIR Sensor Info
on Following Page

3HR
EMERGENCY
DURATION

5
YEARS
WARRANTY*

Power (Selectable)	Efficacy	Output	Kelvin
100W (Emergency 5W)	170Lm/cW	17000Lm (Emergency 850Lm)	Tri-Colour: 4000K, 5000K or 6000K
150W (Emergency 5W)	170Lm/cW	25500Lm (Emergency 850Lm)	
200W (Emergency 5W)	170Lm/cW	34000Lm (Emergency 850Lm)	

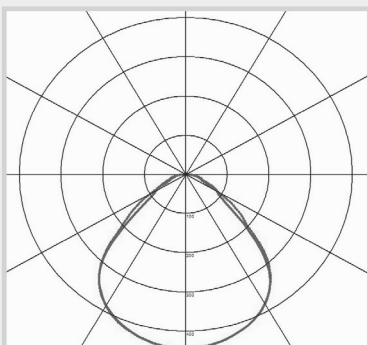
Technical

Input Voltage	AC 120-240V
Colour Rendering Index	>80
Side Wing Tilt Angle	-5° to 35°
Power Factor	>0.9
Operating Temp.	-20 to +50°C
Materials	Metal & Polycarbonate
IP Rating	IP40
IK Rating	IK08
Dimmable	1-10V (as Standard)
Dimensions	655mm x 366mm x 48mm
Weight	5.211kg
MacAdam Step	<3
Emergency Output	3 Hours (5W)
Lifetime	50,000 hours, L70-B10 (Ta 25 °C)
CE Standards	EN60598-1, EN62493, EN55015, EN61547, EN61000-3-2, EN61000-3-3, EN62722-1, EN62722-2-1 and EN50581
CE Directives	LVD, EMC, ERP & RoHS

Light Source Energy Rating



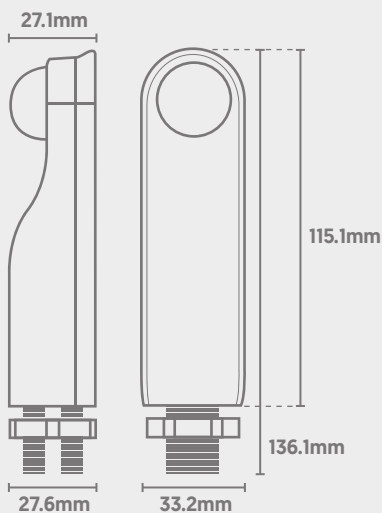
Photometric Data



QBay PIR Sensor

- Day & Night Operation
- 10m Detection Distance
- 360° Detection Range
- Up to 6m Install Height
(2m to 6m is recommended for optimal performance)

Dimensions



PIR Specifications

Daylight Sensor	<3Lx to 2000Lx (Adjustable)
Hold Time	Min: 10s±3s; Max: 30min±2min
Stand-By Period	5min, 10min, 15min, 30min, 60min, +∞
Detection Range	50% / 75% / 100% (360°)
Detection Distance	Up to 10m (24°C)
Detection Moving Speed	0.5-1.5m/s
Automatic Lighting Range	10Lx to 300Lx
Stand-By Dimming Level	OFF / 10% / 20% / 30%






Technical

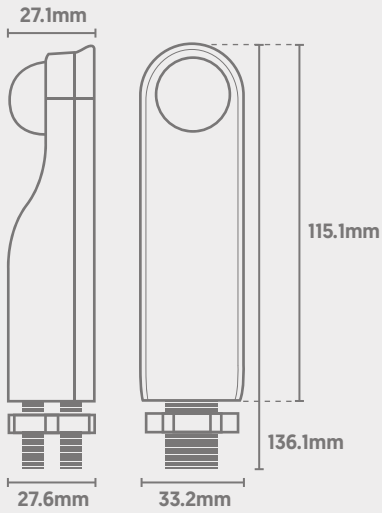
Power Source	AC 220-240V
Power Frequency	50/60 Hz
Maximum Switching	6A
Rated Load	Between 500W and 1200W
Power Consumption	Approximately 0.5W
Cable Specification	18AWG-1007
Operating Temperature	-20 to +40°C
Operating Humidity	<93% RH
Installation Height	2m to 6m
Material	Polycarbonate
IP Rating	IP65 After Installation

QBay

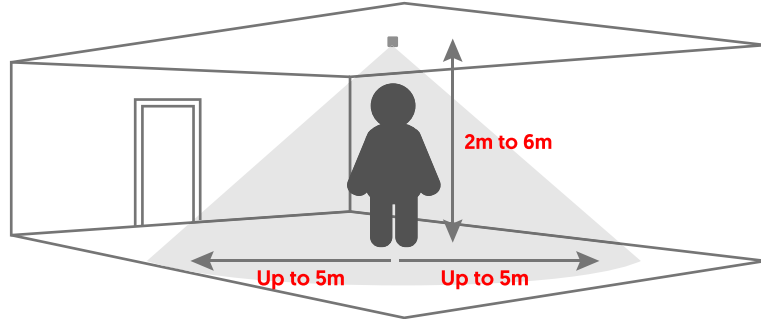
PIR Sensor

-  Day & Night Operation
-  10m Detection Distance
-  360° Detection Range
-  Up to 6m Install Height
(2m to 6m is recommended for optimal performance)

Dimensions



Detection Diagram



Wiring Diagram

