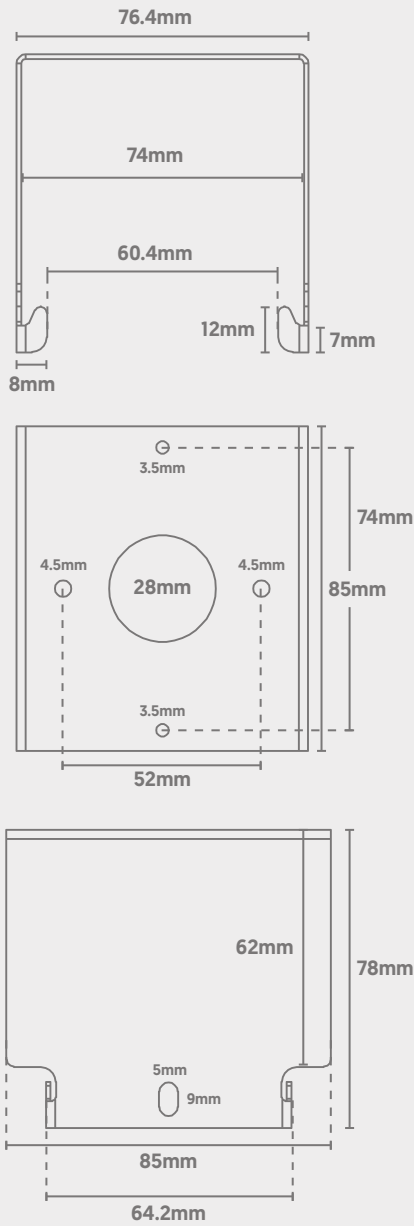


QBay

Surface Mount Brackets

CODE: QBAY-SKIT

Dimensions



Technical

Installation	2x Screw Fixing Points (4.5mm)
IK Rating	IK08
Brackets in Kit	x2
Material	Metal
Dimensions	85mm x 76.4mm x 78mm
Thickness	1.2mm
Weight (Individual)	0.172kg