

## Glow UFO 170 High Bay

CODE: GU-170-200CW/EC/EM



IP65 Ingress Protection



IK08 Impact Resistance

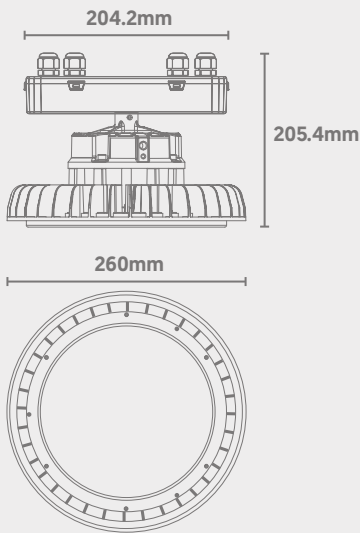


High LED Efficacy



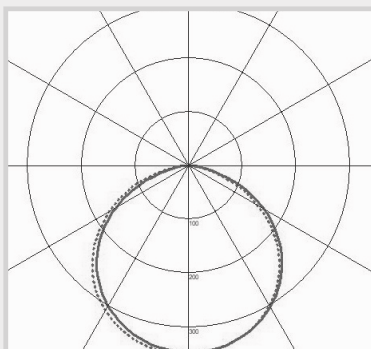
1-10V Dimmable (as Standard)

### Dimensions



Light Source  
Energy Rating

### Photometric Data



Power	Efficacy	Output	Kelvin
200W [Emergency 5W]	170Lm/cW	34000Lm [Emergency 850Lm]	6000K

### Technical

Input Voltage	AC 100-277V
Colour Rendering Index	>70
Beam Spread	110°
Power Factor	>0.9
Operating Temp.	-30 to +50°C
Materials	Aluminium & Tempered Glass
IP Rating	IP65
IK Rating	IK08
Cable Flex	1.5m
Dimmable	1-10V (as Standard)
Dimensions	260mm x 205.4mm
Weight	2.9kg
MacAdam Step	<3
Emergency Output	3 Hours (5W)
Lifetime	50,000 hours, L90-B10 (Ta 25 °C)
CE Standards	EN60598-1, EN 60598 2-5, EN62493, EN55015, EN61547, EN61000-3-2, EN61000-3-3, EN62722-1, EN62722-2-1 and EN50581
CE Directives	LVD, EMC, ERP & RoHS