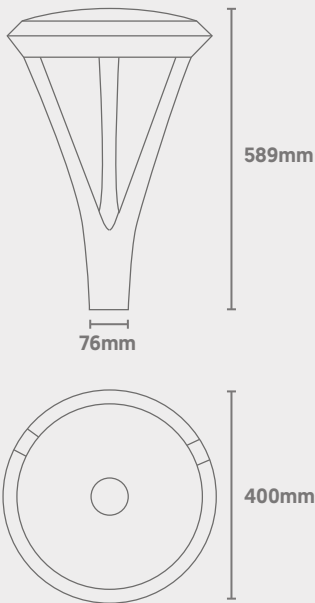


External

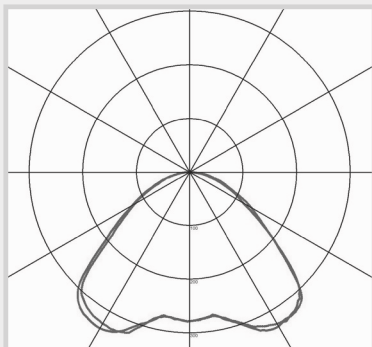
-  IP66 Ingress Protection
-  IK08 Impact Resistance
-  6Kv Surge Protection
-  76mm Spigot Size

Dimensions



ATG F Light Source Energy Rating

Photometric Data



Leo

Post-Top Luminaire

CODE: LEO-35NW/D

QVIS[®]
LED LIGHTING



Power	Efficacy	Output	Kelvin
35W	105lm/cW	3675Lm	4000K

Technical

Input Voltage	AC 100-277V
Colour Rendering Index	>80
Beam Spread	110°
Operating Temp.	-40 to +45°C
Materials	Die-Cast Aluminium
IP Rating	IP66
IK Rating	IK08
Surge Protection	6Kv
Dimmable	DALI 2.0
Dimensions	589mm x 400mm
Weight	8.8kg
MacAdam Step	<3
Lifetime	50,000 hours, L90-B10 (Ta 25 °C)
CE Standards	EN60598-1, EN62493, EN55015, EN61547, EN61000-3-2, EN61000-3-3, EN62722-1, EN62722-2-1 and EN50581
CE Directives	LVD, EMC, ERP & RoHS