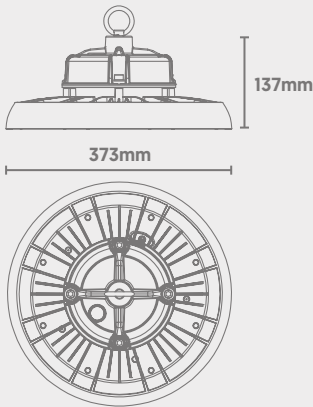


## Glow UFO Pro High Bay

CODE: GU-PRO-240NW

-  IP65 Ingress Protection
-  IK08 Impact Resistance
-  Die-Cast Housing
-  1-10V Dimmable (as Standard)

### Dimensions



Power	Efficacy	Output	Kelvin
240W	150lm/cW	36000Lm	4000K

### Technical

Input Voltage	AC 100-277V
Colour Rendering Index	>80
Beam Spread	90°
Power Factor	>0.95
Operating Temp.	-35 to +50°C
Materials	Die-Cast & Polycarbonate
IP Rating	IP65
IK Rating	IK08
Cable Flex	1.5m
Dimmable	1-10V (as Standard)
Dimensions	373mm x 137mm
Weight	3kg
MacAdam Step	<3
Lifetime	60,000 hours, L70-B10 (Ta 25 °C)
CE Standards	EN60598-1, EN 60598 2-5, EN62493, EN55015, EN61547, EN61000-3-2, EN61000-3-3, EN62722-1, EN62722-2-1 and EN50581
CE Directives	LVD, EMC, ERP & RoHS

**ATG D** Light Source Energy Rating

### Photometric Data

