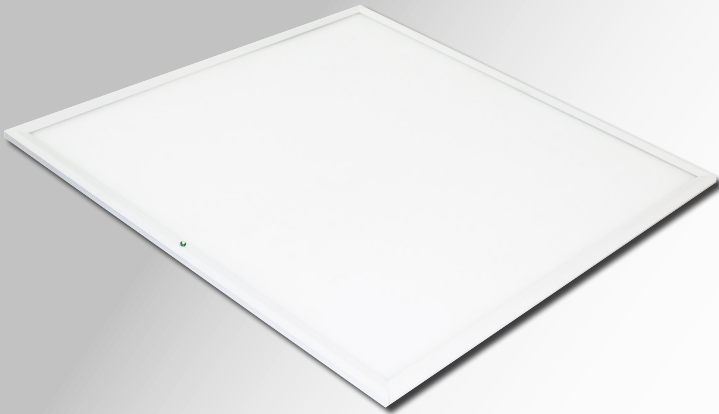


# LYNX RECESSED MODULAR (6x6)

LYNX-ADV-25-6X6CW/TE



LIGHTING & SECURITY

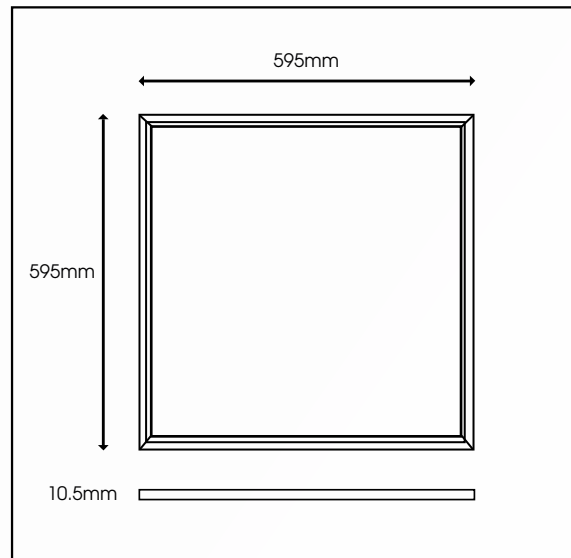


Driver Manufacturer

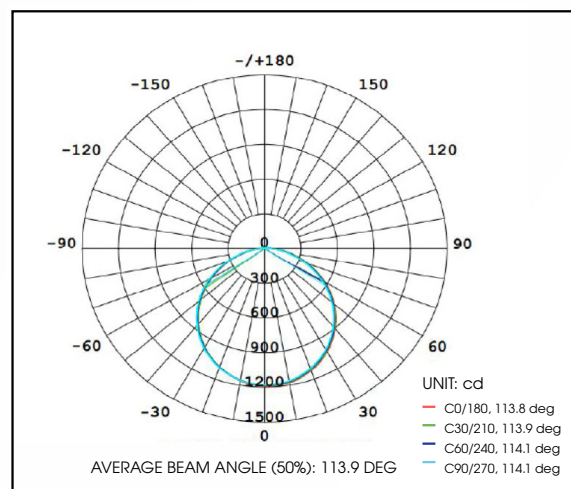


LED's inside

## TECHNICAL DRAWINGS



## LUMINOUS INTENSITY DISTRIBUTION DIAGRAM



Specification	Lynx Advance 6x6
System Power	25W (Emergency 3W)
Driver Manufacturer	Tridonic
LED Chipset	Samsung
Diffuser	Opal
Colour Rendering Index	>85
Typical UGR	<19
LED Efficacy	135 Lm/cW
Lumen Output	3375Lm (Emergency 405Lm)
Fire Rating	TP(a)
Dimmable	Dali / Switch-Dim / Corridor / DSI
Power Factor	0.95
IP Rating	IP44
Beam Spread	160 °
Colour Type	Single
Colour Temperature	6000K
Housing Material	High Grade 6063 Aluminium
Light Guide Plate	PMMA
Operating Temperature	-20 to 50 °C
Input Voltage	AC 200-240V, 47-63Hz
Weight	2.5kg
Dimensions	595mm x 595mm x 10.5mm
MacAdam Step	<3
Lifetime	50,000 hours, L70-B10 (Ta 25 °C)
Emergency Output	3 Hours (3W)*
CE Standards	EN60598-1, EN 60598 2-2, EN62493, EN55015, EN61547, EN61000-3-2, EN61000-3-3, EN62722-1, EN62722-2-1 and EN50581
CE Directives	LVD, EMC, ERP & RoHS

\* Warranty terms and conditions apply

\*For emergency products with a rated service life of < 50,000 operating hours, QVIS offers a 5-year warranty period on the luminaire and 1-year warranty period on the battery pack



SWITCH DIM



10% CORRIDOR



DSI

For further information on our products or terms and conditions visit our website [www.qvisled.com](http://www.qvisled.com) or email: [sales@qvislighting.com](mailto:sales@qvislighting.com)

MODULAR & RECESSED RANGE