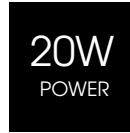


Q-FLOOD PIR FLOODLIGHT

QFLOOD-20W/PIR

QVIS[®]

LIGHTING & SECURITY



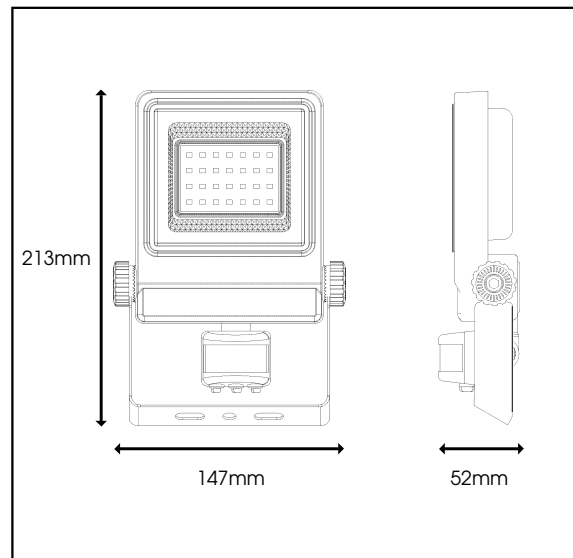
Q-DRIVE

Driver as Standard

OSRAM

LED's inside

TECHNICAL DRAWINGS



Specification	QFlood PIR
System Power	20W
Driver Manufacturer	Q-Drive
LED Chipset	Osram
Lumen Output	2200Lm
LED Efficacy	110 Lm/cW
Beam Angle	120°
PIR Sensitivity	Up to 10m
PIR Time Delay	10sec±3sec (min), 7min±2min (max)
IP Rating	IP65
Colour Temperature	6000K
Housing Material	Aluminium
Lens Material	Tempered Glass
Input Voltage	AC85-277V, 50-60Hz
Operating Temperature	-20 to 50 °C
Cable Flex	1m
Weight	0.9kg
Dimensions	213mm x 147mm x 52mm
MacAdam Step	2.8
Lifetime	50,000 hours, L70-B10 (Ta 25 °C)
CE Standards	EN60598-1, EN 60598 2-5, EN62493, EN55015, EN61547, EN61000-3-2, EN61000-3-3, EN62722-1, EN62722-2-1 and EN50581
CE Directives	LVD, EMC, ERP & RoHS

* Warranty terms and conditions apply

EXTERNAL RANGE