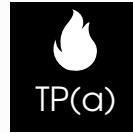
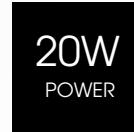
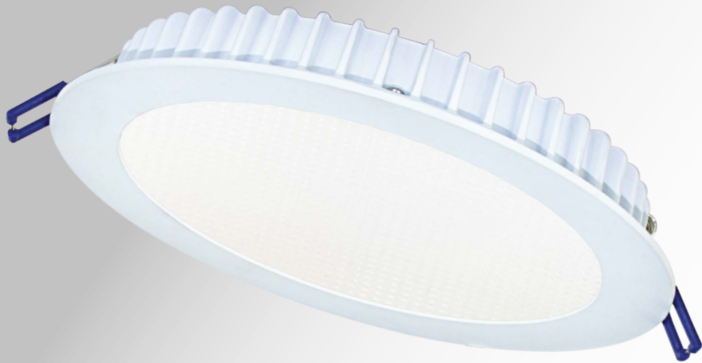


HELIOS SLIM-LINE DOWNLIGHT

H65-20-230NW-MPS

QVIS[®]

LIGHTING & SECURITY



OSRAM

Driver as Standard



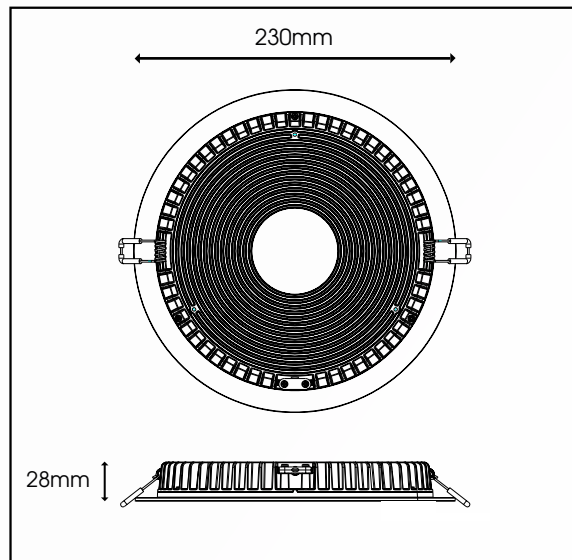
LED's inside

MODULAR & RECESSED RANGE

Specification	Helios 230 Micropism
System Power	20W
Driver Manufacturer	Osram
LED Chipset	Samsung
Diffuser	Micropism
Colour Rendering Index	>85
Typical UGR	<17
LED Efficacy	105 Lm/cW
Lumen Output	2100 Lm
Fire Rating	TP(a)
Dimmable	Contact Office
Power Factor	0.9
IP Rating	IP65
Beam Spread	90°
Colour Type	Single
Colour Temperature	4000K
Housing Material	High Grade 6063 Aluminium
Cut Out	200mm
Operating Temperature	-20 to 50 °C
Input Voltage	AC 200-240V, 50-60Hz
Weight	0.9kg
Dimensions	230mm x 28mm
MacAdam Step	<3
Lifetime	50,000 hours, L70-B10 (Ta 25 °C)
CE Standards	EN60598-1, EN 60598 2-2, EN62493, EN55015, EN61547, EN61000-3-2, EN61000-3-3, EN62722-1, EN62722-2-1 and EN50581
CE Directives	LVD, EMC, ERP & RoHS

* Warranty terms and conditions apply

TECHNICAL DRAWINGS



LUMINOUS INTENSITY DISTRIBUTION DIAGRAM

