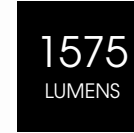
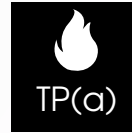
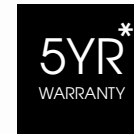


HELIOS SLIM-LINE DOWNLIGHT

H65-15-180NW-MPS



LIGHTING & SECURITY

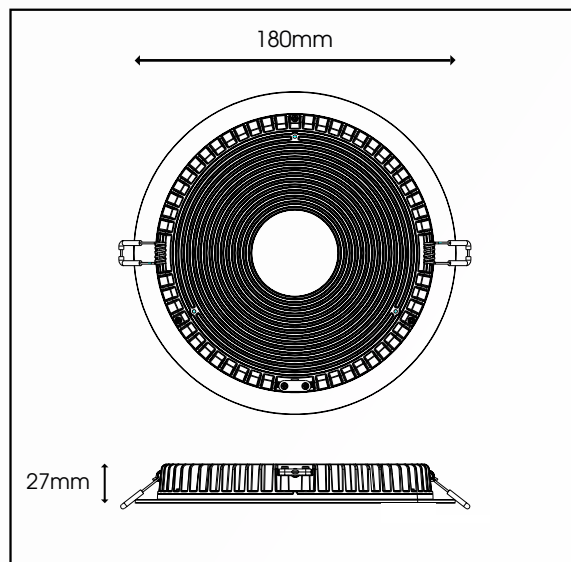


Driver as Standard



LED's inside

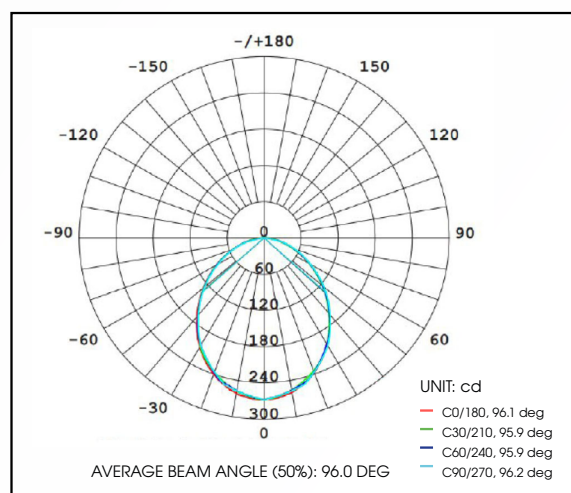
TECHNICAL DRAWINGS



Specification	Helios 180 Microprism
System Power	15W
Driver Manufacturer	Tridonic
LED Chipset	Epistar
Diffuser	Microprism
Colour Rendering Index	>85
Typical UGR	<17
LED Efficacy	105 Lm/cW
Lumen Output	1575Lm
Fire Rating	TP(a)
Dimmable	Contact Office
Power Factor	0.9
IP Rating	IP65
Beam Spread	90°
Colour Type	Single
Colour Temperature	4000K
Housing Material	High Grade 6063 Aluminium
Cut Out	160mm
Operating Temperature	-20 to 50 °C
Input Voltage	AC 200-240V, 50-60Hz
Weight	0.5kg
Dimensions	180mm x 27mm
MacAdam Step	2.8
Lifetime	50,000 hours, L70-B10 (Ta 25 °C)

* Warranty terms and conditions apply

LUMINOUS INTENSITY DISTRIBUTION DIAGRAM



MODULAR & RECESSED RANGE



LIGHTING & SECURITY

Qvis Lighting has specialised in commercial and industrial LED lighting since 2014, whilst the Qvis brand itself has been established for over ten years, with track record success in many industries. From the outset, Qvis has signed up to the Lighting Industrial Association (LIA) and is actively part of their Quality Assurance program (LIAQA). Similarly, Qvis is part of the Philips enabled licensing community, the manufacturers association (EEF), ICEL emergency association, and an ISO 9001:2015 quality management firm.

Qvis products are fully tested by the LIA independent testing laboratories and have gained membership to the Carbon Trust and the Society of Light and Lighting. Qvis continues to win accolades within the industry, with recognition as an LED supplier with quick high quality bespoke product turnarounds and cutting-edge efficacy across the range. Using the latest LED technology advancements, the Qvis brand is now very much established as an affordable name without compromising on quality or performance.

ACCREDITATION



OUR SUPPLIERS

PHILIPS

EPistar



merrytek®



OSRAM

Q-DRIVE



LIFUD

CITIZEN



TRIDONIC
enlightening your ideas

