

Downlight

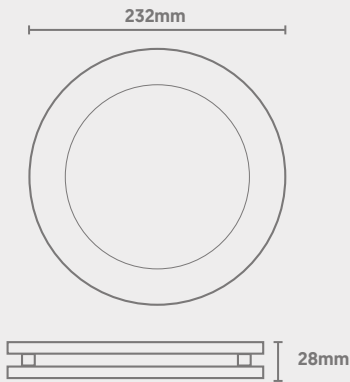
Nova

Drop Glass Attachment

QVIS[®]
LIGHTING & SECURITY

CODE: NOVA-DGW-232-FC

Dimensions



Technical

Finish	White (Aluminium)
Outer Dimensions	232mm
Thickness	28mm