

Modular



IP40 Ingress Protection



TP(a) Fire Rating

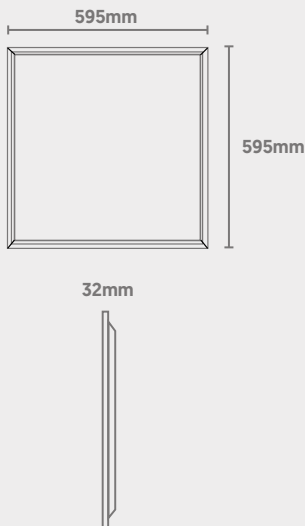


Wattage Switchable

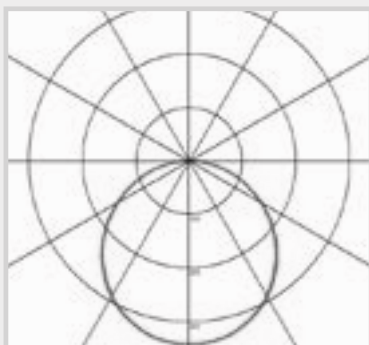


Integral Sensor Microwave

Dimensions



Photometric Data



ON-X

TP(a) Backlit Panel

CODE: OX-ECHO-WS-6X6-TC

QVIS®

LIGHTING & SECURITY



Power (Selectable)	Efficacy	Output	Kelvin
20W	120Lm/cW	2400Lm	Tri- Colour: 3000K, 4000, & 6000K
22W	120Lm/cW	2640Lm	
24W	120Lm/cW	2880Lm	
26W	120Lm/cW	3120Lm	
28W	120Lm/cW	3360Lm	
30W	120Lm/cW	3600Lm	

Technical

Input Voltage	AC 200-240V
Colour Rendering Index	>80
Beam Spread	110°
Diffuser Type	Opal
Power Factor	>0.9
Typical UGR	<19
Operating Temp.	-20 to +40°C
Materials	Aluminium
IP Rating	Front IP54 Back IP40
Fire Rating	TP(a)
Dimmable	On Request
Dimensions	602mm x 602mm x 30mm
Weight	2.72g
MacAdam Step	<3
Lifetime	50,000 hours, L70-B10 (Ta 25 °C)
CE Standards	EN60598-1, EN 60598 2-2, EN62493, EN55015, EN61547, EN61000-3-2, EN61000-3-3, EN62722-1, EN62722-2-1 and EN50581
CE Directives	LVD, EMC, ERP & RoHS