


External

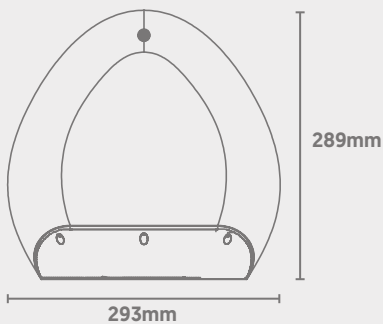
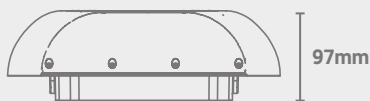
 IP66 Ingress Protection

 IK10 Impact Resistance

 Wattage Switchable

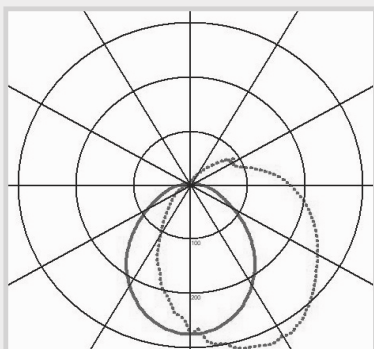
 Integral Photocell Sensor
(Can be disabled)

Dimensions



 Light Source Energy Rating

Photometric Data



Mitre

Multi-Power Bulkhead (with Photocell)

CODE: MIT-WS-TC/D

QVIS[®]

LIGHTING & SECURITY



Power (Selectable)	Efficacy	Output	Kelvin
10.5W	140Lm/cW	1470Lm	Tri-Colour: 3000K, 4000K or 5000K
17.5W	140Lm/cW	2450Lm	
26W	140Lm/cW	3640Lm	
35W	140Lm/cW	4900Lm	

Technical

Input Voltage	AC 100-240V
Colour Rendering Index	>80
Power Factor	>0.92
Operating Temp.	-30 to +50°C
Materials	Aluminium Alloy & Polycarbonate (Lens)
IP Rating	IP66
IK Rating	IK10
Surge Protection	6Kv
Dimmable	DALI 2.0
Dimensions	293mm x 289mm x 97mm
Weight	2.7kg
MacAdam Step	<3
Lifetime	50,000 hours, L70-B10 (Ta 25 °C)
CE Standards	EN60598-1, EN62493, EN55015, EN61547, EN61000-3-2, EN61000-3-3, EN62722-1, EN62722-2-1 and EN50581
CE Directives	LVD, EMC, ERP & RoHS

Mitre

Multi-Power Bulkhead (with Photocell)

CODE: MIT-WS-TC/D



IP66 Ingress Protection



IK10 Impact Resistance



Wattage Switchable



Integral Photocell Sensor
(Can be disabled)

Photocell Information

Operating Voltage Range	0-2V
Enabled Threshold Voltage (Light On)	1.8V
Disabled Threshold Voltage (Light Off)	0.8V
Photosensitive Resistance	>1K Ω at 100Lx; <24K Ω at 10Lx
Time Delay	5s
Photocell Integration	Integral to Driver