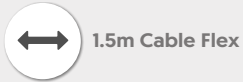
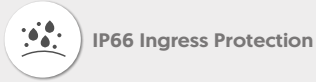


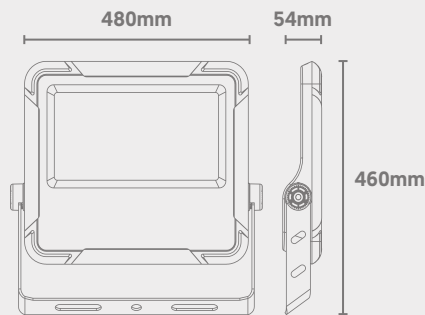
External

QFlood Commercial Gen 2 Asymmetric Flood Light

CODE: QFLOOD2-250CW/AS



Dimensions



Power	Efficacy	Output	Kelvin
250W	150Lm/cW	37500Lm	5700K

Technical

Input Voltage	AC 100-277V
Colour Rendering Index	>80
Beam Spread	150*70°
Power Factor	>0.95
Operating Temp.	-25 to +50°C
Materials	Aluminium & Glass
IP Rating	IP66
Cable Flex	1.5m
Dimensions	480mm x 460mm x 54mm
Weight	5.85kg
MacAdam Step	<3
Lifetime	60,000 hours, L70-B10 (Ta 25 °C)
CE Standards	EN60598-1, EN 60598 2-5, EN62493, EN55015, EN61547, EN61000-3-2, EN61000-3-3, EN62722-1, EN62722-2-1 and EN50581
CE Directives	LVD, EMC, ERP & RoHS



Photometric Data

