

External



IP66 Ingress Protection



Aluminium Housing

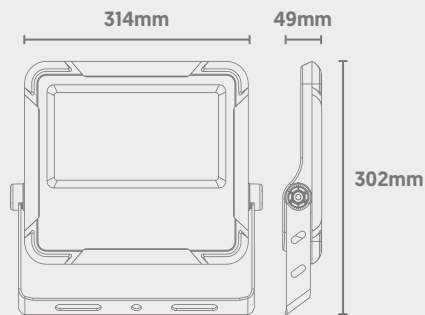


1.5m Cable Flex



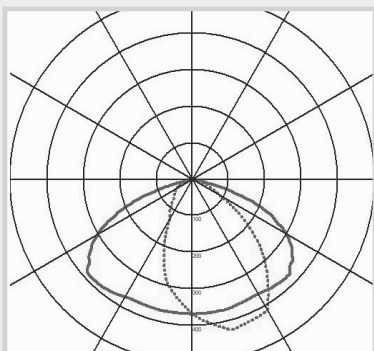
Asymmetric Beam

Dimensions



Light Source Energy Rating

Photometric Data



QFlood Commercial Gen 2

Asymmetric Flood Light

CODE: QFLOOD2-75CW/AS/D

QVIS[®]
LED LIGHTING



| Power | Efficacy | Output | Kelvin |
|-------|----------|---------|--------|
| 75W | 150Lm/cW | 11250Lm | 5700K |

Technical

| | |
|------------------------|--|
| Input Voltage | AC 100-277V |
| Colour Rendering Index | >80 |
| Beam Spread | 150*70° |
| Power Factor | >0.95 |
| Operating Temp. | -25 to +50°C |
| Materials | Aluminium & Glass |
| IP Rating | IP66 |
| Dimmable | DALI 2.0 |
| Cable Flex | 1.5m |
| Dimensions | 314mm x 302mm x 49mm |
| Weight | 2.65kg |
| MacAdam Step | <3 |
| Lifetime | 60,000 hours, L70-B10 (Ta 25 °C) |
| CE Standards | EN60598-1, EN 60598 2-5, EN62493, EN55015, EN61547, EN61000-3-2, EN61000-3-3, EN62722-1, EN62722-2-1 and EN50581 |
| CE Directives | LVD, EMC, ERP & RoHS |