

External



IP66 Ingress Protection



Aluminium Housing

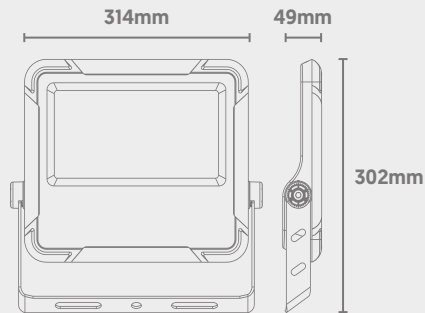


1.5m Cable Flex



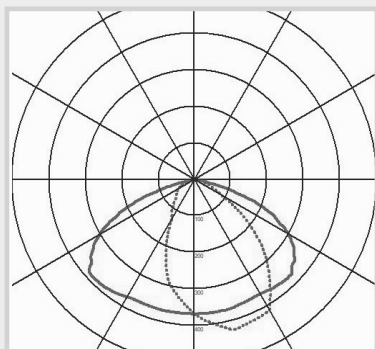
Asymmetric Beam

Dimensions



Light Source Energy Rating

Photometric Data



QFlood Commercial Gen 2

Asymmetric Flood Light



CODE: QFLOOD2-75CW/AS



Power	Efficacy	Output	Kelvin
75W	150lm/cW	11250Lm	5700K

Technical

Input Voltage	AC 100-277V
Colour Rendering Index	>80
Beam Spread	150*70°
Power Factor	>0.95
Operating Temp.	-25 to +50°C
Materials	Aluminium & Glass
IP Rating	IP66
Cable Flex	1.5m
Dimensions	314mm x 302mm x 49mm
Weight	2.65kg
MacAdam Step	<3
Lifetime	60,000 hours, L70-B10 (Ta 25 °C)
CE Standards	EN60598-1, EN 60598 2-5, EN62493, EN55015, EN61547, EN61000-3-2, EN61000-3-3, EN62722-1, EN62722-2-1 and EN50581
CE Directives	LVD, EMC, ERP & RoHS