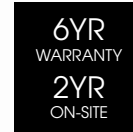


# GLOW UFO MAX HIGHBAY

GLOWUFO-M180-100NW

**QVIS**<sup>®</sup>

LIGHTING & SECURITY

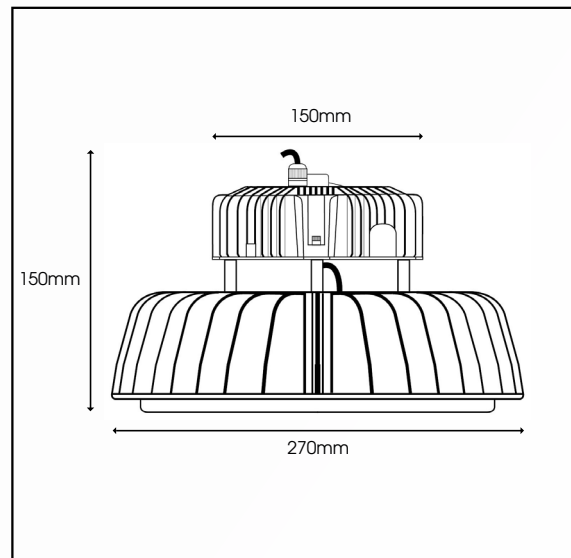


Driver as Standard



LED's inside

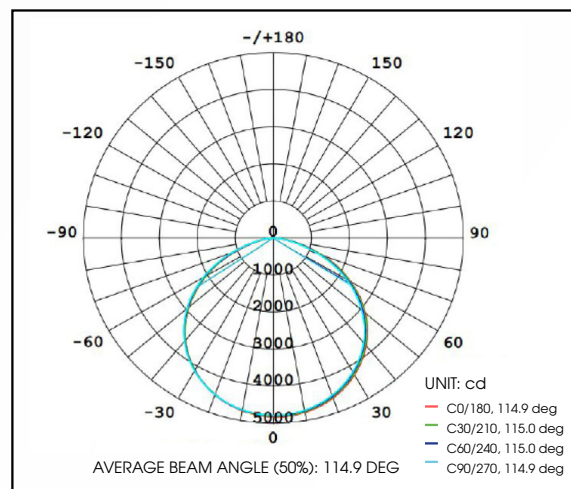
## TECHNICAL DRAWINGS



Specification	UFO MAX Highbay
System Power	100W
LED Chipset	Samsung
Driver Manufacturer	Mean Well
Colour Rendering Index	>80
Lumen Output	18000Lm
LED Efficacy	180 Lm/cW
Power Factor	>0.9
IP Rating	IP65
IK Rating	IK10
Beam Spread	120 °
Colour Temperature	4000K
Housing Material	Aluminium
Diffuser Type	Polycarbonate
Operating Temperature	-20 to 50 °C
Input Voltage	AC200-240V, 47-63H
Weight	3.5kg (Net), 4.2kg (Gross)
Dimensions	ø270mm x150mm
MacAdam Step	<3
Lifetime	50,000 hours, L70-B10 (Ta 25 °C)
CE Standards	EN60598-1, EN 60598 2-5, EN62493, EN55015, EN61547, EN61000-3-2, EN61000-3-3, EN62722-1, EN62722-2-1 and EN50581
CE Directives	LVD, EMC, ERP & RoHS

\* Warranty terms and conditions apply

## LUMINOUS INTENSITY DISTRIBUTION DIAGRAM



INDUSTRIAL RANGE