

## Surface & Suspended



Day & Night Operation



10m Detection Distance

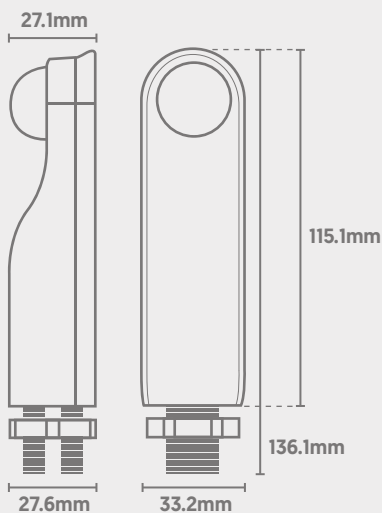


360° Detection Range



Up to 6m Install Height  
(2m to 6m is recommended for optimal performance)

### Dimensions



# PIR (Remote) Batten PIR Sensor

**QVIS**<sup>®</sup>  
LED LIGHTING

CODE: QPIR-BATTEN



## Main Specifications

Daylight Sensor	<3Lx to 2000Lx (Adjustable)
Hold Time	Min: 10s±3s; Max: 30min±2min
Stand-By Period	5min, 10min, 15min, 30min, 60min, +∞
Detection Range	50% / 75% / 100% [360°]
Detection Distance	Up to 10m [24°C]
Detection Moving Speed	0.5-1.5m/s
Automatic Lighting Range	10Lx to 300Lx
Stand-By Dimming Level	OFF / 10% / 20% / 30%

## Technical

Power Source	AC 220-240V
Power Frequency	50/60 Hz
Maximum Switching	6A
Rated Load	Between 500W and 1200W
Power Consumption	Approximately 0.5W
Cable Specification	18AWG-1007
Operating Temperature	-20 to +40°C
Operating Humidity	<93% RH
Installation Height	2m to 6m
Material	Polycarbonate
IP Rating	IP65 After Installation

# Surface & Suspended



Day & Night Operation



10m Detection Distance

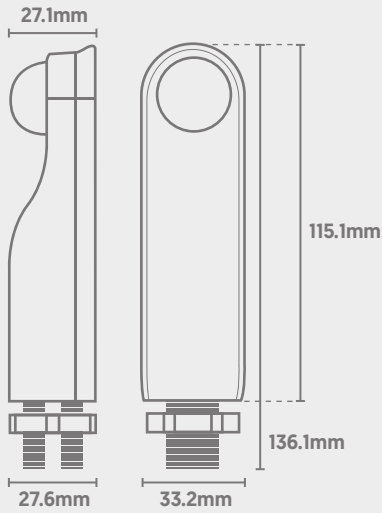


360° Detection Range



Up to 6m Install Height  
(2m to 6m is recommended for optimal performance)

## Dimensions

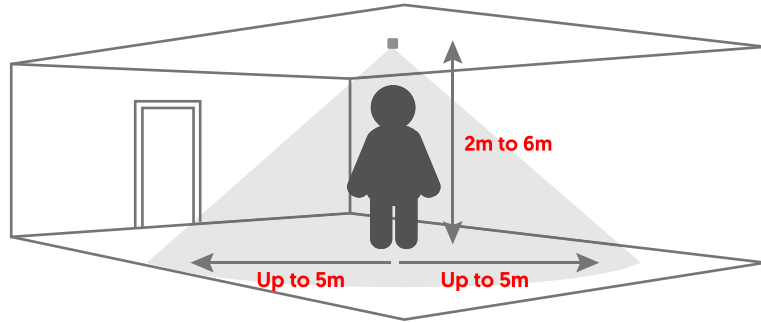


# PIR (Remote) Batten PIR Sensor

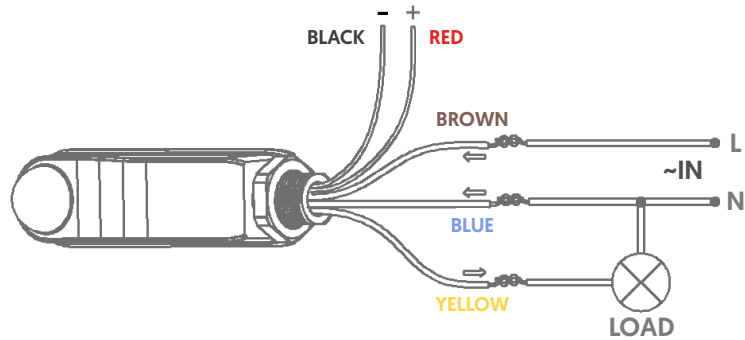


CODE: QPIR-BATTEN

## Detection Diagram



## Wiring Diagram

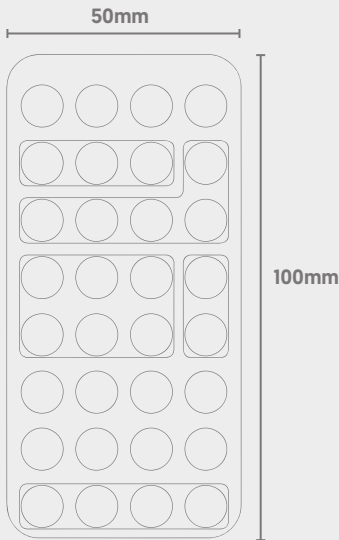


# PIR (Remote)

## Batten PIR Sensor

CODE: QPIR-BATTEN

### Dimensions



Thickness: 7mm



**ON** Load switches on (Auto mode after 8 hours)

**OFF** Load switches off (Auto mode after 8 hours)

**AUTO** Load is set depending on motion

**RESET** Sensor works as per default settings

100% 75% 50% Adjust detection range of sensor

10LUX 50LUX 150LUX 2000LUX Adjust lux value from 10-2000Lx

Automatically reads ambient light levels and operates the sensor according to this value

10S 1MIN 3MIN  
7MIN 15MIN 30MIN  
Hold-time  
Set the delay from 10s to 30min

Manually adjust illumination from high to low in increments

STBY 5MIN STBY 10MIN STBY 15MIN  
STBY 30MIN STBY 60MIN STBY ∞  
Stand-by period  
Set the stand-by time from 5min to infinite

**TEST** Test the PIR sensor at default settings

Lock and unlock the remote's functionality

STBY OFF STBY 10% STBY 20% STBY 30%  
Set the dimming level of the load when no motion is detected