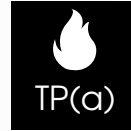
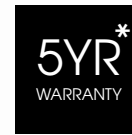
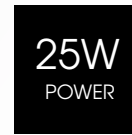
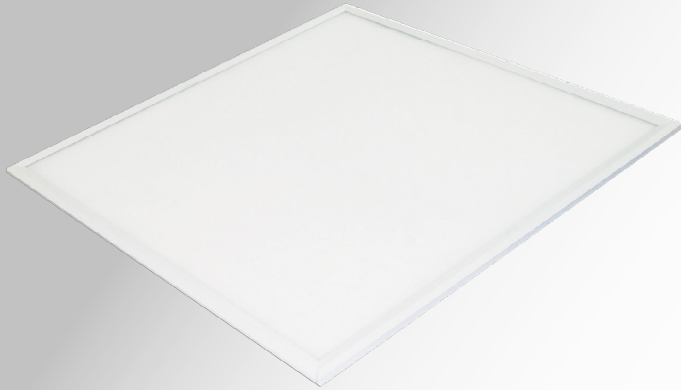


# LYNX RECESSED MODULAR (5x5)

LYNX-SLG-25-5X5NW



LIGHTING & SECURITY

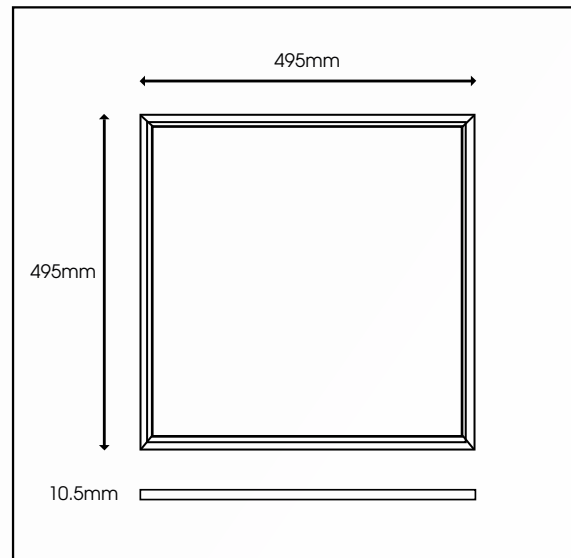


Driver as Standard



LED's inside

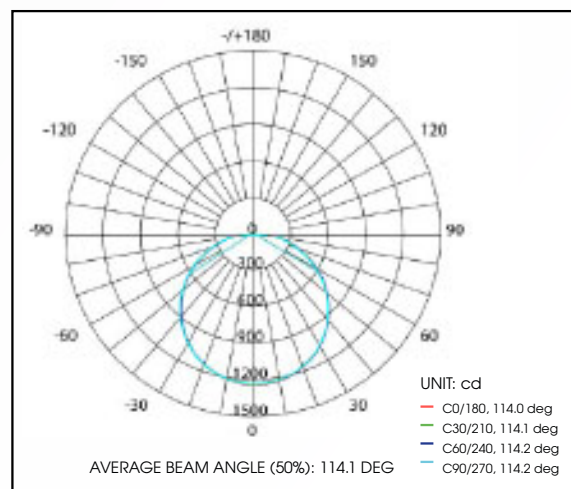
## TECHNICAL DRAWINGS



Specification	Lynx SLG 5x5
System Power	25W
Driver Manufacturer	Tridonic
LED Chipset	Samsung
Diffuser	Microprism
Colour Rendering Index	>85
Typical UGR	<17
LED Efficacy	120 Lm/cW
Lumen Output	3000Lm
Fire Rating	TP(a)
Dimmable	On request
Power Factor	0.95
IP Rating	IP44
Beam Spread	160 °
Colour Type	Single
Colour Temperature	4000K
Housing Material	High Grade 6063 Aluminium
Light Guide Plate	PMMA
Operating Temperature	-20 to 50 °C
Input Voltage	AC 200-240V, 47-63Hz
Weight	2.4kg
Dimensions	495mm x 495mm x 10.5mm
MacAdam Step	2.8
Lifetime	50,000 hours, L70-B10 (Ta 25 °C)

\* Warranty terms and conditions apply

## LUMINOUS INTENSITY DISTRIBUTION DIAGRAM



MODULAR & RECESSED RANGE